

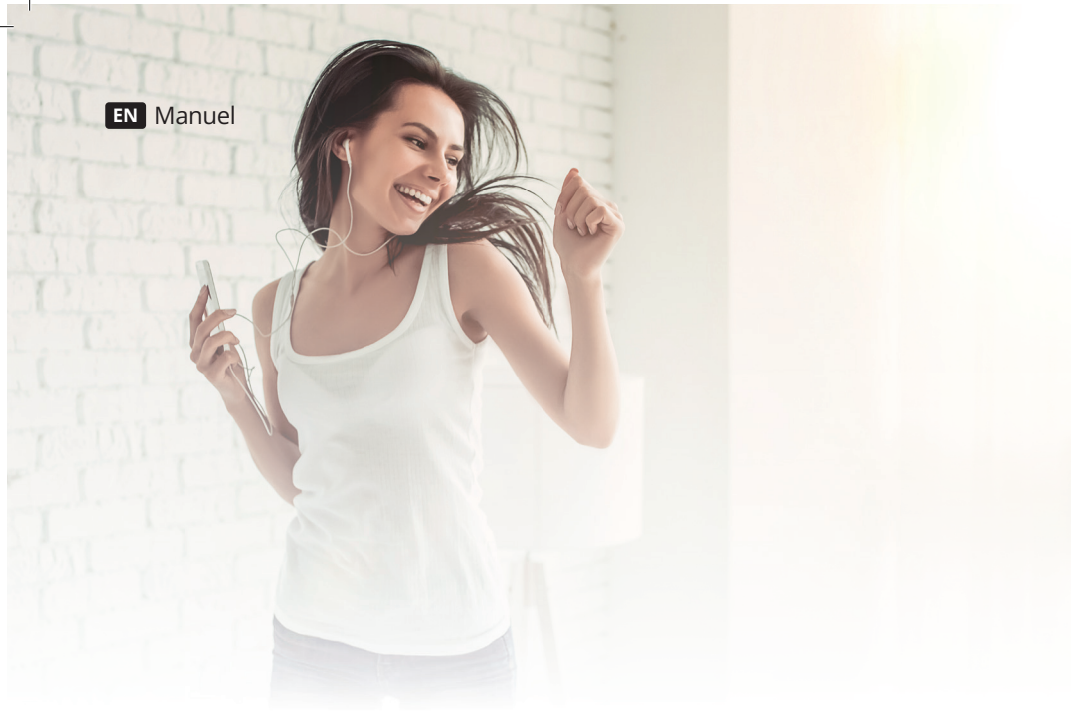
FLINQ



EN NL DE FR

FlinQ FM Emergency Radio with DAB+ and Bluetooth

FQC8556 | Instruction Manual



Welcome to the FlinQ family

Thanks for purchasing one of our items! To ensure continuous operation and accuracy, please read these operating instructions carefully before use and save this manual for future use. Passing certain procedures may result in incorrect reading and incorrect use of this product. We hope that you will enjoy using your new FlinQ-product! If by any chance the item is damaged, defective or broken, you are covered with warranty! Please do not hesitate to contact us for any questions, concerns or suggestions at the email address as mentioned in this manual.

Register your FlinQ product

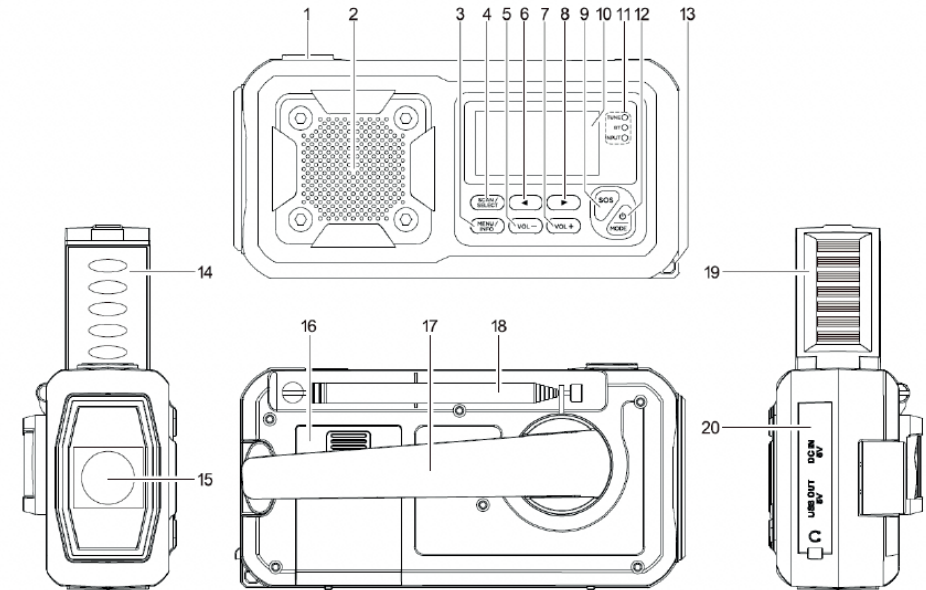
We can imagine you want to treat your FlinQ item carefully. Register your product and you will be entitled to the following:

- ✓ 1 year extra **warranty** (2+1)
- ✓ Personal **support**
- ✓ Digital warranty **certificate**
- ✓ Digital **manual**



Scan the QR code or go to flinqproducts.nl/registration

FlinQ FM Emergency Radio with DAB+ and Bluetooth - RescueWave



Parts overview

- | | |
|------------------------------|---|
| 1. Flashlight switch | 11. LED indicator |
| 2. Speaker | 12. Power / MODE button |
| 3. MENU/INFO button | 13. Hand strap hook |
| 4. SCAN/SELECT button | 14. Reading light |
| 5. VOL – button | 15. Flashlight |
| 6. (TUNE– / PREVIOUS) button | 16. Battery compartment |
| 7. VOL + button | 17. Power generator |
| 8. (TUNE+ / SKIP) button | 18. Antenna |
| 9. SOS button | 19. Solar panel |
| 10. Display | 20. Ports: DC IN 5V (USB-C), DC OUT 1A (USB), 3.5 mm headphone jack |

Installation

Package contents

- Main unit
- Instruction manual
- USB-C cable
- Hand strap

Charging the built-in battery

You have three ways to charge the built-in Li-ion battery.

1. Charging via USB

Connect the supplied USB cable to the (DC IN 5V) USB-C port on the portable radio and to a 5V USB power adapter (not included).

Note: It takes approximately 6–8 hours to fully charge the battery.

2. Charge through power generator (hand crank)

In emergency situation, you can charge the built-in battery through the power generator. Pull out the POWER GENERATOR, then rotate it quickly. The generated power is stored in the built-in battery.

Note:

The INPUT LED indicator (RED) will light.

Rotate the hand crank for 5 minutes to activate the built-in battery for initial use.

3. Charge through solar panel

It is difficult to fully charge the radio with solar panel, which mainly used for maintaining the built-in battery life. Place solar panel directly under sunlight.

Led indicator

Function	Light	Status
Tune	Amber	Receiving FM or DAB broadcast
Wireless	Blue	Wireless mode
Input	Red	Battery during charging

Note:

You can use the device while it is charging. However, this will increase the charging time.

Information on rechargeable batteries

- Depending on environmental conditions, volume, etc., the playback time is approx. 6–8 hours (at 50% volume).
- To preserve the rechargeable battery's full capacity for as long as possible, you should fully recharge the battery every 2 to 3 months, even if you do not use the radio.

- Charge the battery in an environment between 0°C and +40 °C.
- The battery will best hold its charge at room temperature. The lower the surrounding temperature, the shorter the playback time.
- The battery needs to be charged if the "flat" battery symbol appears in the display.

Note: During battery recharge may affect to FM/ DAB reception.

Switching the device on/off and into standby mode

1. Pull the telescopic antenna all the way out.
2. Press and hold the "Power/MODE" button until the device switches on.
3. To switch the device to standby, press and hold the "Power/MODE" button until the time and date appears in the display.
4. To switch the device on again from standby mode, press "Power/MODE" button once briefly.
5. To switch the device off totally from standby mode, press and hold the "Power/MODE" button until the display goes dark.

Note:

After approx. 15 minutes with no signal reception, the device will automatically switch to standby mode.

Setting the volume

Press "VOL +/-" button until the volume level appears in the display. Volume range: 0 to 32

Setting the language

To set the device to your language ...

1. Press and hold "MENU/INFO" button to open system menu, select "system" and confirm with "SCAN/SELECT".
2. Press "VOL +/-" button until "Language" is shown and confirm with "SCAN/SELECT".
3. Press "VOL +/-" button until your desired language is shown and "SCAN/SELECT".

Note:

If you don't press any button for a number of seconds then the display will revert back to the previously selected mode. The settings that are not confirmed are not saved.

- To quit the menu, briefly press the "MENU/INFO" button.

DAB

Selecting the operation mode

Briefly press the "Power/MODE" button repeatedly to switch between the DAB, FM radio and Wireless modes.

Tuning in DAB mode

Switching to DAB mode will automatically retrieve the station last selected.

1. Briefly press "VOL +/- button". The full list of stations will open.
2. Use "VOL +/- button" to select the desired station and confirm with "SCAN/SELECT".

Note:

- You will also find the complete list of stations in the system menu under "Station List". Here you can also start a full manual "Scan".
- You can select specific frequencies/frequency blocks under "Manual Tune" in the system menu.

The signal strength of the chosen frequency block will be shown as bars on the display.

There are no setting options. Press "MENU/INFO" button to quit the system menu.

- Not all stations are on the air at all times; many that were once on the air have since disappeared; or you have received stations in another region that you can no longer receive in your new location: To clean up the station list, you can remove these stations in the system menu with "Prune".
- Press "MENU/INFO" repeatedly to view different information about the station, the music etc., depending on the station.

Saving stations (preset store) in DAB

1. Set the station that you wish to save.
2. Press and hold "MENU/INFO" button to open system menu, select "system" and confirm with "SCAN/SELECT".
3. Use "VOL +/- button" to select "Preset Store" and confirm with "SCAN/SELECT".
4. Use "VOL +/- button" to select the desired memory preset and confirm with "SCAN/SELECT".

"Preset (number) stored" appears briefly in the display which then returns to the DAB or FM mode.

Note: You have a choice of 40 memory presets.

Calling up saved stations (preset recall) in DAB

1. Press and hold "MENU/INFO" button to open system menu, select "Preset Recall" and confirm with "SCAN/SELECT".
2. Use "VOL +/- button" to select the desired station and confirm with "SCAN/SELECT".

The display will jump back to DAB+ or FM mode. Memory "P01" will be shown on the display.

FM

Selecting the operation mode

Briefly press the "Power/MODE" button repeatedly to switch between the DAB, FM radio and Wireless modes.

Tuning in FM mode

Switching to FM mode will automatically retrieve the station last selected. If that station cannot be received at that time, press "SCAN/SELECT" button to search for the next station which can be received.

1. Briefly press "VOL +/- button" to search for a station in 0.05 MHz steps. Press and hold "VOL +/- button" to start a station scan.
2. The scan stops once the first receivable station is located.

In the system menu under "Scan Setting" you can select whether "All Stations" or only "Strong Stations" will be included.

Saving stations (preset store) in FM

Same as in DAB mode

Calling up saved stations (preset recall) in FM

Same as in DAB mode

Wireless

In the Wireless mode you can connect your Wireless-enabled mobile device and play saved music files via the radio.

Note: Always refer to the instruction manual for your mobile device. The device cannot connect to a Wireless speaker or headphones

Establishing a connection

Switch on the Wireless function on your mobile device.

1. Briefly press the "Power/MODE" button to select the Wireless mode.
2. The display shows Disconnected flash while the device is searching for a Wireless signal. The Wireless LED indicator will light up in blue.
3. Start the device scan on your mobile device.
4. Select "RescueWave" on your mobile device and connect the devices as usual.

Playing music

The radio can play music in all conventional file formats supported by your mobile device.

- First start playback on your mobile device. You can also perform these functions directly on the DAB radio:
- Press "SCAN/SELECT" to start and pause playback.
- To return to the start of the track or to skip to the previous track, press "Vol- button" once or twice.
- Skip to the next track with "Vol+ button".
- Press the VOL +/- button to adjust the volume.

Note:

If the volume is too low, adjust it on your mobile device.

Disconnecting the device

There can only be one device connected to the radio via Wireless at any time. If you would like to connect another device, you must first disconnect the current device.

Proceed as follows:

- Unpair the devices on your mobile device.
- The devices will also unpair if you move them outside the Wireless range.

Note: If you switch off the radio, it will automatically connect with the Wireless « device again once it is switched back on, provided it is close by and switched on and the Wireless function is activated.

Using headphones

Listening to music at a high volume on a regular basis can lead to hearing damage. Set the volume to a low setting before starting to play music through the radio. Then you can set the volume higher if you want.

1. Lower the volume.
2. Use a 3.5mm jack plug to connect an earphone or headphone to the headphone port.
3. If necessary, increase the volume. This mutes playback via the speaker.

Note: Earphone with line-control is not compatible to this radio.

Alarm and sleep function

Here you can preselect a time for the device to wake you.

1. Press and hold "MENU/INFO" button to open system menu, select "system" and confirm with "SCAN/SELECT".
 2. Use "VOL +/- button" to select Alarms and confirm with "SCAN/SELECT".
 3. Use "VOL +/- button" to select Alarm 1 or Alarm 2 and confirm with "OK".
 4. Use "VOL + button" to select Alarm and use "SCAN/SELECT" to switch between On and Off.
 5. Use "VOL + button" to select Time and confirm with "SCAN/SELECT".
 6. Use "VOL +/- button" and to set the hour and the minute, then confirm each with "SCAN/SELECT".
 7. Use "VOL + button" to select Source and confirm with "SCAN/SELECT".
 8. Use "VOL +/- button" to select between FM, DAB and Buzzer and confirm with "SCAN/SELECT".
 9. Use "VOL + button" to select Repeat and confirm with "SCAN/SELECT".
 10. Use "VOL +/- button" to select between Once, Daily, Weekends and Workday and confirm with "SCAN/SELECT".
 11. Use "VOL +/- button" to select Volume and confirm with "SCAN/SELECT".
 12. Use "VOL +/- button" to select duration and confirm with "SCAN/SELECT".
 13. Quit the menu with "MENU/INFO" button. The alarm symbol 1 or 2 lights up in the display.
 14. Switch the device to standby with "Power/MODE" if necessary. The selected alarm signal will sound at the set time.
- Press any button to snooze the alarm 5 minutes. (Except Flash light and SOS buttons) Display will show snooze timing counter.
 - Press "Power/MODE" to deactivate the alarm signal completely.

Sleep function

Here you can pre-select a time after which the device switches off automatically.

1. Press and hold "MENU/INFO" button to open the system menu, select "system" and confirm with "SCAN/SELECT".

2. Use "VOL -/+ button" to select Sleep and confirm with SCAN/SELECT.
3. Use "VOL -/+ button" to select between 15 > 30 > 45 > 60 > 75 > 90 minutes and Off.
4. Briefly press "SCAN/SELECT" to confirm. The display shows "SXX" and "XX" means remaining sleep time.

Setting the date and time manually

If you do not have any DAB reception, you can also configure the time and date manually.

1. Press and hold the "MENU/INFO" button to open the system menu, select "system" and confirm with "SCAN/SELECT".
2. Use "VOL -/+ button" to select "Time/Date" and confirm with "SCAN/SELECT".
3. Use "VOL -/+ button" to select "Set Time/Date" and confirm with "SCAN/SELECT".
4. Use "VOL -/+ button" to set Day - Month - Year - Hour - Minute one by one and confirm each with "SCAN/SELECT". The display will automatically jump one step back in the menu.
5. Use "VOL -/+ button" to select "Set Hour System" and confirm with "SCAN/SELECT".
6. Use "VOL -/+ button" to select "24 hour system" or "12 hour system" and confirm with SCAN/SELECT". The display will automatically jump one step back in the menu.
7. Use "VOL -/+ button" to select "Set Date Format" and confirm with "SCAN/SELECT".
8. Use "VOL -/+ button" to toggle between dd-mm-yyyy, mm-dd-yyyy and yyyy-mm-dd, and confirm with "SCAN/SELECT". The display will automatically jump one step back in the menu.
9. Use "VOL -/+ button" to select "Auto. Update" and confirm with "SCAN/SELECT".
10. Use "VOL -/+ button" to select between "No Update" and "Update from Radio" (the DAB+ station will set the time automatically if reception is good enough) and confirm with "SCAN/SELECT". The display will automatically jump one step back in the menu.

Setting the display backlight

1. Press and hold "MENU/INFO" button to open the system menu, select "system" and confirm with "SCAN/SELECT".
2. Use "VOL -/+ button" to select "Backlight" and confirm with "SCAN/SELECT".
3. Use "VOL -/+ button" to select "Timeout" and confirm with "SCAN/SELECT".
4. Use "VOL -/+ button" to select between "Always On" and a switch-off time for the lighting between 10 and 180 seconds and confirm with "SCAN/SELECT". The display will automatically jump one step back in the menu.
5. Use "VOL -/+ button" to select Level and confirm with "SCAN/SELECT".

6. Use "VOL -/+ button" to select the brightness of the display between Low, Medium, High and confirm with "SCAN/SELECT". The display will automatically jump one step back in the menu.

Restoring factory settings

1. Press and hold the "MENU/INFO" button to open the system menu, select "system" and confirm with "SCAN/SELECT".
2. Use "VOL -/+ button" to select "Factory Reset" and confirm with "SCAN/SELECT".
3. Use "VOL -/+ button" to select "No" or "Yes" and confirm with "SCAN/SELECT".

Software version

Here you can view the software version installed.

1. Press and hold the "MENU/INFO" button to open the system menu, select "system" and confirm with "SCAN/SELECT".
2. Use "VOL -/+ button" to select "System Version" and confirm with "SCAN/SELECT". The currently installed software version is displayed. Press "MENU/INFO" to quit the menu item.

Flashlight modes

Turn the flashlight on (3 modes)

During operation, briefly press "LIGHT" button to select different light mode.

During OFF mode, press and hold "LIGHT" to enable flashlight.

Turn on the reading mode

Flip up the solar panel the reading light will auto switch ON or OFF by closing the solar panel.

USB out (5V)

This portable radio can also serve as an emergency charger for your mobile phone. Do not use it as a normal power bank.

Note: Emergency Charger is only available in Standby or OFF mode

1. Open the USB rubber cover
2. Plug your mobile phone charging cable (not supplied) into USB OUT 5V socket, then plug into your phone.

Turn on the SOS mode

Press and hold the "SOS" button on front panel to enable alarm sound.

Briefly press SOS button to select different mode.

The very loud alarm sound on and flashlight will keep flashing.

Problems and possible solutions

Not working

- Is the battery flat?
- Is the mains adapter connected?

No sound

- Have you selected the correct mode of operation?
- Is the volume set too low?
- Are there headphones connected?

DAB: the station selected has no signal FM: The audio signal is weak or poor in quality.

- Are any other devices, e.g.: microwave, motor, mixer, television interfering with the signal?
- Is the radio signal too weak?
- FM mode audio setting to Mono only.
- Check the signal strength in DAB mode.
- Adjust the position of the antenna or move the device to another location.
- Disconnect USB-C input cable.
- Disconnect USB output cable.



Welkom bij de FlinQ familie

Bedankt dat je voor een van onze artikelen heeft gekozen! Om een continue werking en nauwkeurigheid te garanderen, dien je deze gebruiksaanwijzing voor gebruik zorgvuldig te lezen en deze te bewaren voor toekomstig gebruik. Het overslaan van bepaalde procedures kan leiden tot onjuiste lezing en onjuist gebruik van dit product. Wij wensen je veel plezier met uw nieuwe FlinQ-product! Als het artikel per ongeluk beschadigd, defect of kapot is, dan heb je recht op garantie! Aarzel niet om contact met ons op te nemen bij vragen, opmerkingen of suggesties op het e-mailadres zoals vermeld in deze handleiding.

Registreer je FlinQ product

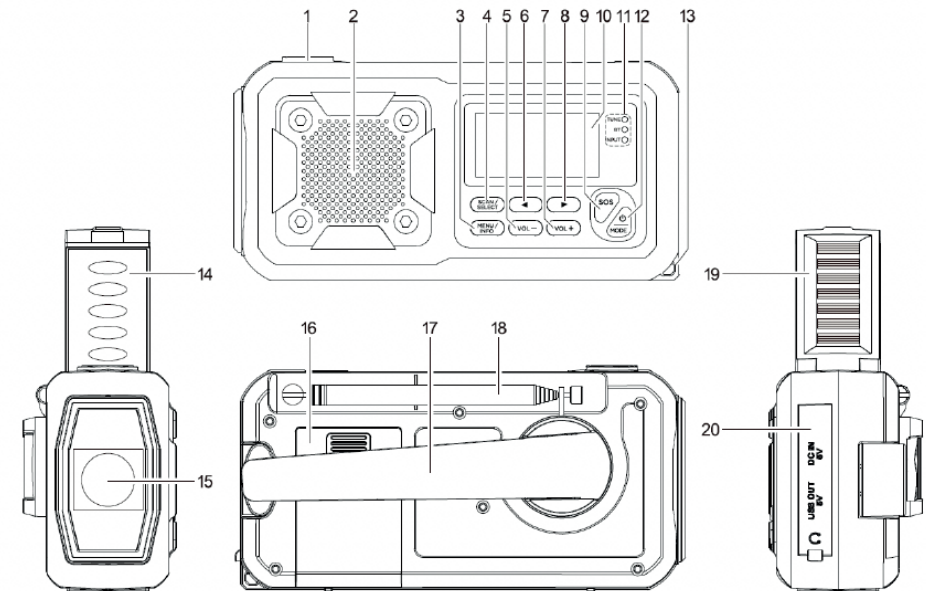
Je FlinQ product, daar ben je extra zuinig op en dat begrijpen we. Registreer gratis je product en profiteer onder meer van:

- ✓ 1 jaar extra **garantie** (2+1)
- ✓ Persoonlijke **ondersteuning**
- ✓ Digitaal **garantie certificaat**
- ✓ Digitale **handleiding**



Scan de QR code of ga naar flinqproducts.nl/registreren/

FlinQ FM Emergency Radio with DAB+ and Bluetooth - RescueWave



Onderdelenoverzicht

- | | |
|----------------------------|---|
| 1. Schakelaar zaklamp | 11. LED-indicator |
| 2. Luidspreker | 12. Aan/uit/MODE-knop |
| 3. MENU/INFO-knop | 13. Haakje voor draagriem |
| 4. SCAN/SELECT-knop | 14. Leeslampje |
| 5. VOL --knop | 15. Zaklamp |
| 6. (TUNE- / PREVIOUS)-knop | 16. Batterijcompartiment |
| 7. VOL +-knop | 17. Stroomgenerator |
| 8. (TUNE+ / SKIP)-knop | 18. Antenne |
| 9. SOS-knop | 19. Zonnepaneel |
| 10. Display | 20. Aansluitingen: DC IN 5V (USB-C), DC OUT 1A (USB), 3,5 mm koptelefoonaansluiting |

Installatie

Inhoud van de verpakking

- Hoofdeenheid
- Gebruiksaanwijzing
- USB-C-kabel
- Polsbandje

De ingebouwde batterij opladen

U kunt de ingebouwde Li-ion-batterij op drie manieren opladen.

1. Opladen via USB

Sluit de meegeleverde USB-kabel aan op de (DC IN 5V) USB-C-poort van de draagbare radio en op een 5V USB-voedingsadapter (niet meegeleverd).

Let op: Het duurt ongeveer 6-8 uur om de batterij volledig op te laden.

2. Opladen via een stroomgenerator (handzwengel)

In noodgevallen kunt u de ingebouwde batterij opladen met de stroomgenerator. Trek de stroomgenerator eruit en draai deze snel rond. De opgewekte stroom wordt opgeslagen in de ingebouwde batterij.

Let op: De INPUT-LED-indicator (rood) gaat branden.

Draai 5 minuten aan de handslinger om de ingebouwde batterij te activeren voor het eerste gebruik.

3. Opladen via een zonnepaneel

Het is lastig om de radio volledig op te laden met een zonnepaneel, dat voornamelijk wordt gebruikt om de levensduur van de ingebouwde batterij te verlengen. Plaats het zonnepaneel direct in de zon.

Led indicator

Functie	Lampje	Status
Tune	Amber	FM- of DAB-uitzendingen ontvangen
Draadloos	Blauw	Draadloze moduys
Invoer	Rood	Batterij tijdens het opladen

Let op: U kunt het apparaat gebruiken terwijl het wordt opgeladen. Dit verlengt echter de oplaadtijd.

Informatie over oplaadbare batterijen

- Afhankelijk van de omgevingsomstandigheden, het volume, enz., is de afspeeltijd ongeveer 6-8 uur (bij 50% volume).
- Om de volledige capaciteit van de oplaadbare batterij zo lang mogelijk te behouden, dient u de batterij elke 2 tot 3 maanden volledig op te laden, zelfs als u de radio niet gebruikt.

- Laad de batterij op in een omgeving tussen 0 °C en +40 °C.
- De batterij behoudt zijn lading het best bij kamertemperatuur. Hoe lager de omgevingstemperatuur, hoe korter de afspeeltijd.
- De batterij moet worden opgeladen als het symbool voor een lege batterij op het display verschijnt.

Let op: Het opladen van de batterij kan de FM/DAB-ontvangst beïnvloeden.

Het apparaat in- en uitschakelen en in de standbymodus zetten

1. Trek de telescopische antenne volledig uit.
2. Houd de "Power/MODE"-knop ingedrukt totdat het apparaat inschakelt.
3. Om het apparaat in de standbymodus te zetten, houdt u de "Power/MODE"-knop ingedrukt totdat de tijd en datum op het display verschijnen.
4. Om het apparaat vanuit de standbymodus weer in te schakelen, drukt u kort op de "Power/MODE"-knop.
5. Om het apparaat volledig uit te schakelen vanuit de standbymodus, houdt u de "Power/MODE"-knop ingedrukt totdat het display zwart wordt.

Opmerking: Na ongeveer 15 minuten zonder signaalontvangst schakelt het apparaat automatisch over naar de standbymodus.

Het volume instellen

Druk op de "VOL +/-"-knop totdat het volumeniveau op het display verschijnt. Volumebereik: 0 tot 32

De taal instellen

Om het apparaat in uw taal in te stellen...

1. Houd de "MENU/INFO"-knop ingedrukt om het systeemmenu te openen, selecteer "systeem" en bevestig met "SCAN/SELECT".
2. Druk op de "VOL +/- knop" totdat "Taal" wordt weergegeven en bevestig met "SCAN/SELECT".
3. Druk op de "VOL +/- knop" totdat de gewenste taal wordt weergegeven en bevestig met "SCAN/SELECT".

Opmerking: Als u gedurende een aantal seconden geen knop indrukt, keert het scherm terug naar de eerder geselecteerde modus. Instellingen die niet worden bevestigd, worden niet opgeslagen.

- Om het menu te verlaten, drukt u kort op de "MENU/INFO" knop.

DAB

De bedieningsmodus selecteren

Druk herhaaldelijk kort op de knop "Aan/Uit/MODE" om te schakelen tussen de DAB-, FM-radio- en draadloze modus.

Afstemmen in DAB-modus

Bij het overschakelen naar de DAB-modus wordt automatisch het laatst geselecteerde station opgehaald.

1. Druk kort op de knop "VOL +/-". De volledige lijst met stations wordt geopend.
2. Gebruik de knop "VOL +/-" om het gewenste station te selecteren en bevestig met "SCAN/SELECT".

Opmerking: - U vindt de volledige lijst met stations ook in het systeemmenu onder "Stationslijst". Hier kunt u ook een volledige handmatige scan starten.

- U kunt specifieke frequenties/frequentieblokken selecteren onder "Handmatig afstemmen" in het systeemmenu.

De signaalsterkte van het gekozen frequentieblok wordt weergegeven als balkjes op het display. Er zijn geen instellopties. Druk op de knop "MENU/INFO" om het systeemmenu te verlaten.

- Niet alle stations zijn altijd in de lucht; Veel zenders die ooit te ontvangen waren, zijn inmiddels verdwenen; of u hebt zenders in een andere regio ontvangen die u op uw nieuwe locatie niet meer kunt ontvangen: Om de zenderlijst op te schonen, kunt u deze zenders verwijderen in het systeemmenu met "Opschonen".

- Druk herhaaldelijk op "MENU/INFO" om verschillende informatie over de zender, de muziek, enz. te bekijken, afhankelijk van de zender.

Zenders opslaan (voorkeuzenders opslaan) in DAB

1. Stel de zender in die u wilt opslaan.
2. Houd de "MENU/INFO"-knop ingedrukt om het systeemmenu te openen, selecteer "systeem" en bevestig met "SCAN/SELECT".
3. Gebruik de "VOL +/-"-knop om "Voorkeuzenders opslaan" te selecteren en bevestig met "SCAN/SELECT".
4. Gebruik de "VOL +/-"-knop om de gewenste voorkeuzender te selecteren en bevestig met "SCAN/SELECT".

"Voorkeuzender (nummer) opgeslagen" verschijnt kort op het display, waarna het apparaat terugkeert naar de DAB- of FM-modus.

Opmerking: U kunt kiezen uit 40 voorkeuzenders.

Opgeslagen zenders oproepen (voorkeuzenders oproepen) in DAB

1. Houd de "MENU/INFO"-knop ingedrukt om het systeemmenu te openen, selecteer "Voorkeuzenders oproepen" en bevestig met "SCAN/SELECT".
2. Gebruik de "VOL +/-"-knop om de gewenste zender te selecteren en bevestig met "SCAN/SELECT".

Het display schakelt terug naar de DAB+ of FM-modus. Geheugen "P01" wordt op het display weergegeven.

FM

De bedieningsmodus selecteren

Druk herhaaldelijk kort op de knop "Aan/Uit/MODE" om te schakelen tussen de DAB-, FM-radio- en draadloze modus.

Afstemmen in FM-modus

Bij het overschakelen naar de FM-modus wordt automatisch het laatst geselecteerde station opgehaald. Als dat station op dat moment niet te ontvangen is, drukt u op de knop "SCAN/SELECT" om te zoeken naar het volgende station dat wel te ontvangen is.

1. Druk kort op de knop "VOL +/-" om in stappen van 0,05 MHz naar een station te zoeken. Houd de knop "VOL +/-" ingedrukt om een stationsscan te starten.
2. De scan stopt zodra het eerste te ontvangen station is gevonden.

In het systeemmenu onder "Scaninstellingen" kunt u selecteren of "Alle stations" of alleen "Sterke stations" worden meegenomen.

Zenders opslaan (voorkeuzenders opslaan) in FM

Hetzelfde als in DAB-modus

Opgeslagen zenders oproepen (voorkeuzenders oproepen) in FM

Hetzelfde als in DAB-modus

Draadloos

In de draadloze modus kunt u uw mobiele apparaat met draadloze verbinding aansluiten en opgeslagen muziekbestanden via de radio afspelen.

Opmerking: Raadpleeg altijd de handleiding van uw mobiele apparaat. Het apparaat kan geen verbinding maken met een draadloze luidspreker of hoofdtelefoon.

Een verbinding tot stand brengen

Schakel de draadloze functie in op uw mobiele apparaat.

1. Druk kort op de knop "Aan/Uit/MODUS" om de draadloze modus te selecteren.
2. Het display toont "Verbinding verbroken" (knipperend) terwijl het apparaat naar een draadloos signaal zoekt. De draadloze LED-indicator licht blauw op.
3. Start de apparaatscan op uw mobiele apparaat.
4. Selecteer "RescueWave" op uw mobiele apparaat en verbind de apparaten zoals gebruikelijk.

Muziek afspelen

De radio kan muziek afspelen in alle gangbare bestandsformaten die door uw mobiele apparaat worden ondersteund.

- Start eerst de weergave op uw mobiele apparaat. U kunt deze functies ook rechtstreeks op de DAB-radio uitvoeren:
- Druk op "SCAN/SELECT" om de weergave te starten en te pauzeren.
- Om terug te keren naar het begin van het nummer of naar het vorige nummer te gaan, drukt u één of twee keer op de knop "Vol-".
- Ga naar het volgende nummer met de knop "Vol+".
- Druk op de knop VOL+ om het volume aan te passen.

Opmerking:

Als het volume te laag is, pas dit dan aan op uw mobiele apparaat.

Het apparaat loskoppelen

Er kan slechts één apparaat tegelijk draadloos met de radio verbonden zijn. Als u een ander apparaat wilt verbinden, moet u eerst het huidige apparaat loskoppelen. Ga als volgt te werk:

- Ontkoppel de apparaten op uw mobiele apparaat.
- De apparaten worden ook ontkoppeld als u ze buiten het draadloze bereik brengt.

Opmerking: Als u de radio uitschakelt, maakt deze automatisch opnieuw verbinding met het draadloze apparaat zodra deze weer wordt ingeschakeld, mits het apparaat zich in de buurt bevindt, is ingeschakeld en de draadloze functie is geactiveerd.

Gebruik van een koptelefoon

Regelmatig naar muziek luisteren op een hoog volume kan leiden tot gehoorschade. Zet het volume laag voordat u muziek afspeelt via de radio. U kunt het volume

vervolgens hoger zetten als u dat wilt.

1. Zet het volume lager.
2. Sluit een oortelefoon of koptelefoon aan op de hoofdtelefoonaansluiting met een 3,5 mm jackplug.
3. Verhoog indien nodig het volume. Dit dempt de weergave via de luidspreker.

Opmerking: Oortelefoons met lijnbediening zijn niet compatibel met deze radio.

Alarm- en slaapfunctie

Hier kunt u een tijd instellen waarop het apparaat u moet wekken.

1. Houd de knop "MENU/INFO" ingedrukt om het systeemmenu te openen, selecteer "systeem" en bevestig met "SCAN/SELECT".
2. Gebruik de knop "VOL -/+ " om Alarmen te selecteren en bevestig met "SCAN/SELECT".
3. Gebruik de knop "VOL -/+ " om Alarm 1 of Alarm 2 te selecteren en bevestig met "OK".
4. Gebruik de knop "VOL +" om Alarm te selecteren en gebruik "SCAN/SELECT" om te schakelen tussen Aan en Uit.
5. Gebruik de knop "VOL +" om Tijd te selecteren en bevestig met "SCAN/SELECT".
6. Gebruik de knop "VOL -/+ " om het uur en de minuut in te stellen en bevestig beide met "SCAN/SELECT".
7. Gebruik de knop "VOL +" om Bron te selecteren en bevestig met "SCAN/SELECT".
8. Gebruik de "VOL -/+ knop" om te kiezen tussen FM, DAB en Buzzer en bevestig met "SCAN/SELECT".
9. Gebruik de "VOL + knop" om Herhalen te selecteren en bevestig met "SCAN/SELECT".
10. Gebruik de "VOL -/+ knop" om te kiezen tussen Eenmalig, Dagelijks, Weekenden en Werkdagen en bevestig met "SCAN/SELECT".
11. Gebruik de "VOL -/+ knop" om Volume te selecteren en bevestig met "SCAN/SELECT".
12. Gebruik de "VOL -/+ knop" om de duur te selecteren en bevestig met "SCAN/SELECT".
13. Verlaat het menu met de "MENU/INFO" knop. Het alarmsymbool 1 of 2 licht op in het display.
14. Schakel het apparaat indien nodig over naar de stand-by modus met "Power/MODE". Het geselecteerde alarmsignaal klinkt op de ingestelde tijd.
 - Druk op een willekeurige knop om het alarm 5 minuten te snoozen. (Met uitzondering van de zaklamp- en SOS-knoppen) Het display toont de teller voor de snooze-tijd.
 - Druk op "Power/MODE" om het alarmsignaal volledig uit te schakelen.

Slaap functie

Hier kunt u vooraf een tijd instellen waarna het apparaat automatisch uitschakelt.

1. Houd de knop "MENU/INFO" ingedrukt om het systeemmenu te openen, selecteer "systeem" en bevestig met "SCAN/SELECT".

2. Gebruik de "VOL +/- knop" om Slaapstand te selecteren en bevestig met SCAN/SELECT.
3. Gebruik de "VOL +/- knop" om te kiezen tussen 15 > 30 > 45 > 60 > 75 > 90 minuten en Uit.
4. Druk kort op "SCAN/SELECT" om te bevestigen. Op het display verschijnt "SXX" en "XX" staat voor de resterende slaaptijd.

De datum en tijd handmatig instellen

Als u geen DAB-ontvangst hebt, kunt u de tijd en datum ook handmatig instellen.

1. Houd de "MENU/INFO"-knop ingedrukt om het systeemmenu te openen, selecteer "systeem" en bevestig met "SCAN/SELECT".
2. Gebruik de "VOL +/-"-knop om "Tijd/Datum" te selecteren en bevestig met "SCAN/SELECT".
3. Gebruik de "VOL +/-"-knop om "Tijd/Datum instellen" te selecteren en bevestig met "SCAN/SELECT".
4. Gebruik de "VOL +/-"-knop om de dag, maand, jaar, uur en minuut één voor één in te stellen en bevestig elke stap met "SCAN/SELECT". Het display springt automatisch één stap terug in het menu.
5. Gebruik de "VOL +/-"-knop om "Uursysteem instellen" te selecteren en bevestig met "SCAN/SELECT".
6. Gebruik de "VOL +/- knop" om "24-uurs systeem" of "12-uurs systeem" te selecteren en bevestig met "SCAN/SELECT". Het display springt automatisch één stap terug in het menu.
7. Gebruik de "VOL +/- knop" om "Datumformaat instellen" te selecteren en bevestig met "SCAN/SELECT".
8. Gebruik de "VOL +/- knop" om te schakelen tussen dd-mm-jjjj, mm-dd-jjjj en jjjj-mm-dd, en bevestig met "SCAN/SELECT". Het display springt automatisch één stap terug in het menu.
9. Gebruik de "VOL +/- knop" om "Automatische update" te selecteren en bevestig met "SCAN/SELECT".
10. Gebruik de "VOL +/- knop" om te kiezen tussen "Geen update" en "Update via radio" (het DAB+ station stelt de tijd automatisch in als de ontvangst goed genoeg is) en bevestig met "SCAN/SELECT". Het display springt automatisch één stap terug in het menu.

De achtergrondverlichting van het scherm instellen

1. Houd de "MENU/INFO"-knop ingedrukt om het systeemmenu te openen, selecteer

"systeem" en bevestig met "SCAN/SELECT".

2. Gebruik de "VOL +/-"-knop om "Achtergrondverlichting" te selecteren en bevestig met "SCAN/SELECT".
3. Gebruik de "VOL +/-"-knop om "Time-out" te selecteren en bevestig met "SCAN/SELECT".
4. Gebruik de "VOL +/-"-knop om te kiezen tussen "Altijd aan" en een uitschakeltijd voor de verlichting tussen 10 en 180 seconden en bevestig met "SCAN/SELECT". Het scherm springt automatisch één stap terug in het menu.
5. Gebruik de "VOL +/-"-knop om Niveau te selecteren en bevestig met "SCAN/SELECT".
6. Gebruik de "VOL +/-"-knop om de helderheid van het scherm te selecteren tussen Laag, Gemiddeld en Hoog en bevestig met "SCAN/SELECT". Het scherm springt automatisch één stap terug in het menu.

Fabrieksinstellingen herstellen

1. Houd de "MENU/INFO"-knop ingedrukt om het systeemmenu te openen, selecteer "systeem" en bevestig met "SCAN/SELECT".
2. Gebruik de "VOL +/-"-knop om "Fabrieksinstellingen herstellen" te selecteren en bevestig met "SCAN/SELECT".
3. Gebruik de "VOL +/-"-knop om "Nee" of "Ja" te selecteren en bevestig met "SCAN/SELECT".

Software versie

Hier kunt u de geïnstalleerde softwareversie bekijken.

1. Houd de knop "MENU/INFO" ingedrukt om het systeemmenu te openen, selecteer "systeem" en bevestig met "SCAN/SELECT".
2. Gebruik de knop "VOL +/-" om "Systeemversie" te selecteren en bevestig met "SCAN/SELECT". De momenteel geïnstalleerde softwareversie wordt weergegeven. Druk op "MENU/INFO" om het menu te verlaten.

Zaklampstanden

Schakel de zaklamp in (3 standen)

Druk tijdens gebruik kort op de knop "LIGHT" om een andere lichtstand te selecteren.

In de UIT-stand houdt u de knop "LIGHT" ingedrukt om de zaklamp in te schakelen.

Schakel de leesstand in

Klap het zonnepaneel omhoog; de leeslamp schakelt automatisch in of uit wanneer u het zonnepaneel sluit.

USB-uitgang (5V)

Deze draagbare radio kan ook dienst doen als noodlader voor uw mobiele telefoon. Gebruik hem niet als een normale powerbank.

Opmerking: De noodlader is alleen beschikbaar in de stand-by- of UIT-modus.

1. Open het rubberen USB-klepje.
2. Sluit de oplaadkabel van uw mobiele telefoon (niet meegeleverd) aan op de USB OUT 5V-aansluiting en sluit deze vervolgens aan op uw telefoon.

Schakel de SOS-modus in

Houd de "SOS"-knop op het voorpaneel ingedrukt om het alarmgeluid in te schakelen. Druk kort op de SOS-knop om een andere modus te selecteren. Het alarm gaat zeer luid af en de zaklamp blijft knipperen.

Problemen en mogelijke oplossingen

Werkt niet

- Is de batterij leeg?
- Is de netadapter aangesloten?

Geen geluid

- Heeft u de juiste modus geselecteerd?
- Staat het volume te laag?
- Zijn er hoofdtelefoons aangesloten?

DAB: het geselecteerde station heeft geen signaal. FM: Het audiosignaal is zwak of van slechte kwaliteit.

- Worden het signaal verstoord door andere apparaten, zoals een magnetron, motor, mixer of televisie?
- Is het radiosignaal te zwak?
- Stel de audio-instelling van de FM-modus in op Mono.
- Controleer de signaalsterkte in de DAB-modus.
- Pas de positie van de antenne aan of verplaats het apparaat naar een andere locatie.
- Koppel de USB-C-ingangskabel los.
- Koppel de USB-uitgangskabel los.



Willkommen in der flinq-familie

Vielen Dank, dass Sie sich für einen unserer Artikel entschieden haben! Um einen kontinuierlichen Betrieb und Genauigkeit zu gewährleisten, lesen Sie bitte diese Bedienungsanleitung vor der Verwendung sorgfältig durch und bewahren Sie sie zum späteren Nachschlagen auf. Das Überspringen bestimmter Verfahren kann zu falschem Lesen und falscher Verwendung dieses Produkts führen. Wir wünschen Ihnen viel Freude mit Ihrem neuen Flinq-Produkt! Wenn der Artikel versehentlich beschädigt, defekt oder kaputt ist, haben Sie Anspruch auf Gewährleistung! Bitte zögern Sie nicht, uns bei Fragen, Kommentaren oder Vorschlägen unter der in diesem Handbuch angegebenen E-Mail-Adresse zu kontaktieren.

Registrieren Sie Ihr Flinq Produkt

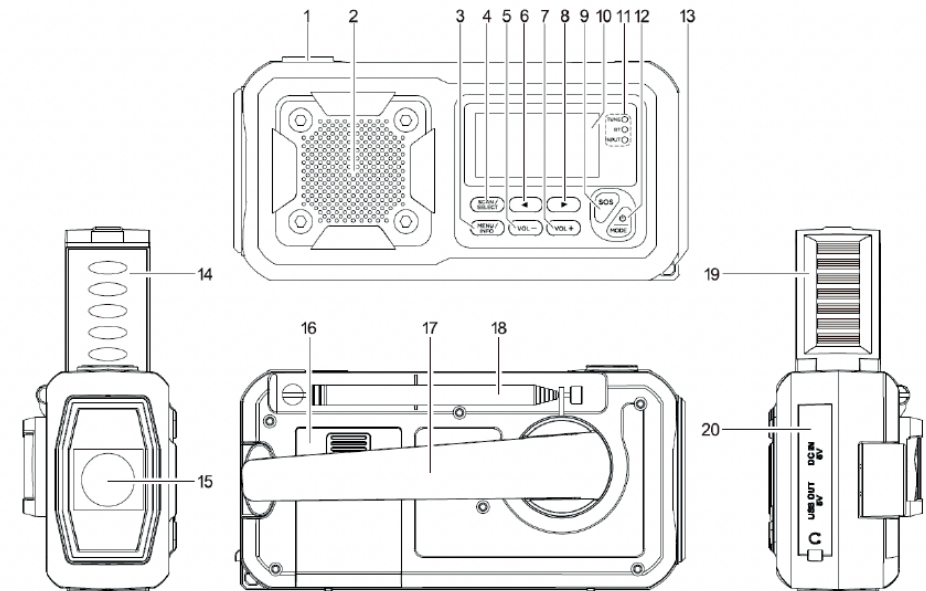
Sie sind besonders vorsichtig mit Ihrem neuem Flinq Produkt und wir verstehen das. Registrieren Sie Ihr Produkt jetzt kostenlos und profitieren Sie von:

- ✓ Ein Jahr **Zusatzgarantie** (2+1))
- ✓ Persönlicher **technischer Unterstützung und Support**
- ✓ Digitales **Garantie-zertifikat**
- ✓ Digitales **Handbuch**



Scannen Sie den QR-Code oder besuchen Sie flinqproducts.nl/registration/

FlinQ FM Emergency Radio with DAB+ and Bluetooth - RescueWave



Teileübersicht

- | | |
|----------------------------------|---|
| 1. Taschenlampenschalter | 11. LED-Anzeige |
| 2. Lautsprecher | 12. Ein-/Ausrichter/MODE-Taste |
| 3. MENU/INFO-Taste | 13. Handschlaufe |
| 4. SCAN/SELECT-Taste | 14. Leselampe |
| 5. VOL -Taste | 15. Taschenlampe |
| 6. (TUNE - / VORHERIGER)-Taste | 16. Batteriefach |
| 7. VOL +Taste | 17. Stromgenerator |
| 8. (TUNE + / ÜBERSPRINGEN)-Taste | 18. Antenne |
| 9. SOS-Taste | 19. Solarpanel |
| 10. Display | 20. Anschlüsse: DC IN 5V (USB-C), DC OUT 1A (USB), 3,5-mm-Kopfhörerbuchse |

Installation

Lieferumfang

- Haupteinheit
- Bedienungsanleitung
- USB-C-Kabel
- Handschlaufe

Laden des eingebauten Akkus

Sie haben drei Möglichkeiten, den eingebauten Lithium-Ionen-Akku zu laden.

1. Laden über USB

Verbinden Sie das mitgelieferte USB-Kabel mit dem USB-C-Anschluss (DC IN 5V) des tragbaren Radios und mit einem 5V-USB-Netzteil (nicht im Lieferumfang enthalten).

Hinweis: Das vollständige Laden des Akkus dauert ca. 6–8 Stunden.

2. Laden über einen Stromgenerator (Handkurbel)

Im Notfall können Sie den eingebauten Akku über einen Stromgenerator laden. Ziehen Sie den Stromgenerator heraus und drehen Sie ihn schnell. Der erzeugte Strom wird im eingebauten Akku gespeichert.

Hinweis: Die Eingangs-LED (rot) leuchtet auf. Drehen Sie die Handkurbel 5 Minuten lang, um den eingebauten Akku für die erste Verwendung zu aktivieren.

3. Laden über ein Solarpanel

Das Radio lässt sich mit einem Solarpanel nicht vollständig aufladen. Es dient hauptsächlich dazu, die Lebensdauer des eingebauten Akkus zu erhalten. Platzieren Sie das Solarpanel direkt in der Sonne.

LED-Anzeige

Funktion	Licht	Status
Melodie	Bernstein	Empfang von FM- oder DAB-Sendern
Drahtlos	Blau	Drahtlosmodus
Eingang	Rot	Akku während des Ladevorgangs

Hinweis:

Sie können das Gerät während des Ladevorgangs verwenden. Dies verlängert jedoch die Ladezeit.

Informationen zu Akkus

- Die Wiedergabezeit beträgt je nach Umgebungsbedingungen, Lautstärke usw. ca. 6–8 Stunden (bei 50 % Lautstärke).
- Um die volle Kapazität des Akkus möglichst lange zu erhalten, sollten Sie ihn alle 2 bis

3 Monate vollständig aufladen, auch wenn Sie das Radio nicht benutzen.

- Laden Sie den Akku bei einer Umgebungstemperatur zwischen 0 °C und +40 °C.
- Der Akku hält seine Ladung am besten bei Raumtemperatur. Je niedriger die Umgebungstemperatur, desto kürzer die Wiedergabezeit.
- Der Akku muss geladen werden, wenn das Symbol für einen leeren Akku im Display erscheint.

Hinweis: Der FM/DAB-Empfang kann während des Ladevorgangs beeinträchtigt sein.

Ein-/Ausschalten und Versetzen des Geräts in den Standby-Modus

1. Ziehen Sie die Teleskopantenne vollständig heraus.
2. Halten Sie die Taste „Power/MODE“ gedrückt, bis sich das Gerät einschaltet.
3. Um das Gerät in den Standby-Modus zu versetzen, halten Sie die Taste „Power/MODE“ gedrückt, bis Datum und Uhrzeit im Display angezeigt werden.
4. Um das Gerät aus dem Standby-Modus wieder einzuschalten, drücken Sie die Taste „Power/MODE“ kurz.
5. Um das Gerät aus dem Standby-Modus vollständig auszuschalten, halten Sie die Taste „Power/MODE“ gedrückt, bis das Display schwarz wird.

Hinweis: Nach ca. 15 Minuten ohne Signalempfang schaltet sich das Gerät automatisch in den Standby-Modus.

Lautstärke einstellen: Drücken Sie die Taste „VOL +/-“, bis die gewünschte Lautstärke im Display angezeigt wird. Lautstärkebereich: 0 bis 32

Spracheinstellung

So stellen Sie die Sprache des Geräts ein:

1. Halten Sie die Taste „MENU/INFO“ gedrückt, um das Systemmenü zu öffnen. Wählen Sie „System“ und bestätigen Sie mit „SCAN/SELECT“.
2. Drücken Sie die Tasten „VOL +/-“, bis „Sprache“ angezeigt wird, und bestätigen Sie mit „SCAN/SELECT“.
3. Drücken Sie die Tasten „VOL +/-“, bis Ihre gewünschte Sprache angezeigt wird, und bestätigen Sie mit „SCAN/SELECT“.

Hinweis: Wenn Sie einige Sekunden lang keine Taste drücken, kehrt die Anzeige zum vorherigen Modus zurück. Nicht bestätigte Einstellungen werden nicht gespeichert.

- Um das Menü zu verlassen, drücken Sie kurz die Taste „MENU/INFO“.

DAB**Betriebsmodus auswählen**

Drücken Sie die Taste „Power/MODE“ wiederholt kurz, um zwischen DAB, UKW-Radio und Mobilfunk umzuschalten.

Sendersuche im DAB-Modus

Im DAB-Modus wird automatisch der zuletzt gewählte Sender wiedergegeben.

1. Drücken Sie kurz die Taste „VOL -/+“. Die vollständige Senderliste wird angezeigt.
2. Wählen Sie mit der Taste „VOL -/+“ den gewünschten Sender aus und bestätigen Sie mit „SCAN/SELECT“.

Hinweis:

- Die vollständige Senderliste finden Sie auch im Systemmenü unter „Senderliste“. Hier können Sie auch einen manuellen Sendersuchlauf starten.
- Unter „Manuelle Sendersuche“ im Systemmenü können Sie bestimmte Frequenzen/ Frequenzbereiche auswählen.

Die Signalstärke des ausgewählten Frequenzbereichs wird als Balken im Display angezeigt. Es gibt keine Einstellungsmöglichkeiten. Drücken Sie die Taste „MENU/INFO“, um das Systemmenü zu verlassen.

- Nicht alle Sender sind jederzeit empfangbar; viele ehemals empfangbare Sender sind nicht mehr verfügbar. Oder Sie haben Sender aus einer anderen Region empfangen, die Sie an Ihrem neuen Standort nicht mehr empfangen können: Um die Senderliste zu bereinigen, können Sie diese Sender im Systemmenü über „Löschen“ entfernen.
- Drücken Sie wiederholt „MENÜ/INFO“, um je nach Sender verschiedene Informationen zum Sender, zur Musik usw. anzuzeigen.

Sender speichern (Voreinstellungen) im DAB-Modus

1. Stellen Sie den gewünschten Sender ein.
2. Halten Sie die Taste „MENU/INFO“ gedrückt, um das Systemmenü zu öffnen. Wählen Sie „System“ und bestätigen Sie mit „SCAN/SELECT“.
3. Wählen Sie mit den Tasten „VOL -/+“ die Option „Voreinstellungen speichern“ und bestätigen Sie mit „SCAN/SELECT“.
4. Wählen Sie mit den Tasten „VOL -/+“ die gewünschte Voreinstellung und bestätigen Sie mit „SCAN/SELECT“.

Die Meldung „Voreinstellung (Nummer) gespeichert“ erscheint kurz im Display.

Anschließend kehrt das Gerät zum DAB- oder FM-Modus zurück.

Hinweis: Sie haben die Wahl zwischen 40 Senderspeicherplätzen.

Abrufen gespeicherter Sender (Senderspeicherplatz) im DAB-Modus:

1. Halten Sie die Taste „MENU/INFO“ gedrückt, um das Systemmenü zu öffnen. Wählen Sie „Senderspeicherplatz“ und bestätigen Sie mit „SCAN/SELECT“.
2. Wählen Sie mit den Tasten „VOL -/+“ den gewünschten Sender aus und bestätigen Sie mit „SCAN/SELECT“.

Das Display wechselt zurück in den DAB+- oder FM-Modus. Der Speicherplatz „P01“ wird im Display angezeigt.

FM**Betriebsmodus auswählen**

Drücken Sie die Taste „Power/MODE“ wiederholt kurz, um zwischen DAB-, FM-Radio- und Drahtlosmodus zu wechseln.

Sendersuche im FM-Modus

Im FM-Modus wird automatisch der zuletzt gewählte Sender wiedergegeben. Falls dieser Sender nicht empfangen werden kann, drücken Sie die Taste „SCAN/SELECT“, um den nächsten empfangbaren Sender zu suchen.

1. Drücken Sie kurz die Taste „VOL -/+“, um in 0,05-MHz-Schritten nach einem Sender zu suchen. Halten Sie die Taste „VOL -/+“ gedrückt, um den Sendersuchlauf zu starten.
2. Der Suchlauf wird beendet, sobald der erste empfangbare Sender gefunden wurde.

Im Systemmenü unter „Sucheinstellungen“ können Sie auswählen, ob „Alle Sender“ oder nur „Starke Sender“ berücksichtigt werden sollen.

Senderspeicherung (FM)

Wie im DAB-Modus

Senderspeicherung (FM)

Wie im DAB-Modus

Drahtlos

Im Drahtlosmodus können Sie Ihr WLAN-fähiges Mobilgerät verbinden und gespeicherte Musikdateien über das Radio abspielen.

Hinweis: Beachten Sie stets die Bedienungsanleitung Ihres Mobilgeräts. Das Gerät kann nicht mit einem drahtlosen Lautsprecher oder Kopfhörer verbunden werden.

Verbindungsherstellung

Aktivieren Sie die WLAN-Funktion auf Ihrem Mobilgerät.

1. Drücken Sie kurz die Taste „Ein/Aus/MODE“, um den WLAN-Modus auszuwählen.
2. Während das Gerät nach einem WLAN-Signal sucht, blinkt die Meldung „Nicht verbunden“ auf dem Display. Die WLAN-LED leuchtet blau.
3. Starten Sie die Gerätesuche auf Ihrem Mobilgerät.
4. Wählen Sie „RescueWave“ auf Ihrem Mobilgerät und verbinden Sie die Geräte wie gewohnt.

Musikwiedergabe

Das Radio kann Musik in allen gängigen Dateiformaten wiedergeben, die von Ihrem Mobilgerät unterstützt werden.

- Starten Sie die Wiedergabe zunächst auf Ihrem Mobilgerät. Sie können diese Funktionen auch direkt am DAB-Radio nutzen:
- Drücken Sie „SCAN/SELECT“, um die Wiedergabe zu starten und anzuhalten.
- Um zum Anfang des Titels zurückzukehren oder zum vorherigen Titel zu springen, drücken Sie die Taste „Lautstärke -“ ein- oder zweimal.
- Mit der Taste „Lautstärke +“ springen Sie zum nächsten Titel.
- Mit den Tasten „Lautstärke +/-“ können Sie die Lautstärke anpassen.

Hinweis: Falls die Lautstärke zu niedrig ist, passen Sie sie auf Ihrem Mobilgerät an.

Gerät trennen

Es kann immer nur ein Gerät drahtlos mit dem Radio verbunden sein. Wenn Sie ein weiteres Gerät verbinden möchten, müssen Sie das aktuelle Gerät zuerst trennen. Gehen Sie wie folgt vor:

- Entkoppeln Sie die Geräte auf Ihrem Mobilgerät.
- Die Geräte werden auch entkoppelt, wenn Sie sie außerhalb der WLAN-Reichweite bewegen.

Hinweis: Wenn Sie das Radio ausschalten, verbindet es sich beim Wiedereinschalten automatisch wieder mit dem WLAN-Gerät, sofern es sich in der Nähe befindet, eingeschaltet ist und die WLAN-Funktion aktiviert ist.

Kopfhörer verwenden

Regelmäßiges Musikhören mit hoher Lautstärke kann zu Gehörschäden führen. Stellen Sie die Lautstärke niedrig ein, bevor Sie Musik über das Radio abspielen. Sie können die Lautstärke dann bei Bedarf erhöhen.

1. Verringern Sie die Lautstärke.

2. Schließen Sie einen Ohrhörer oder Kopfhörer mit einem 3,5-mm-Klinkenstecker an den Kopfhöreranschluss an.
3. Erhöhen Sie bei Bedarf die Lautstärke. Dadurch wird die Wiedergabe über den Lautsprecher stummgeschaltet.

Hinweis: Kopfhörer mit Kabelsteuerung sind mit diesem Funkgerät nicht kompatibel.

Alarm- und Schlaffunktion

Hier können Sie eine Weckzeit voreinstellen.

1. Halten Sie die Taste „MENU/INFO“ gedrückt, um das Systemmenü zu öffnen. Wählen Sie „System“ und bestätigen Sie mit „SCAN/SELECT“.
 2. Wählen Sie mit den Tasten „VOL +/-“ die Option „Wecker“ und bestätigen Sie mit „SCAN/SELECT“.
 3. Wählen Sie mit den Tasten „VOL +/-“ Wecker 1 oder Wecker 2 und bestätigen Sie mit „OK“.
 4. Wählen Sie mit der Taste „VOL +“ den Wecker aus und schalten Sie ihn mit „SCAN/SELECT“ ein oder aus.
 5. Wählen Sie mit der Taste „VOL +“ die Uhrzeit aus und bestätigen Sie mit „SCAN/SELECT“.
 6. Stellen Sie mit den Tasten „VOL +/-“ Stunde und Minute ein und bestätigen Sie jeweils mit „SCAN/SELECT“.
 7. Wählen Sie mit der Taste „VOL +“ die Quelle aus und bestätigen Sie mit „SCAN/SELECT“.
 8. Wählen Sie mit den Tasten „VOL +/-“ zwischen FM, DAB und Summer und bestätigen Sie mit „SCAN/SELECT“.
 9. Wählen Sie mit der Taste „VOL +“ die Wiederholungsfunktion und bestätigen Sie mit „SCAN/SELECT“.
 10. Wählen Sie mit den Tasten „VOL +/-“ zwischen Einmal, Täglich, Wochenende und Werktag und bestätigen Sie mit „SCAN/SELECT“.
 11. Stellen Sie mit den Tasten „VOL +/-“ die Lautstärke ein und bestätigen Sie mit „SCAN/SELECT“.
 12. Stellen Sie mit den Tasten „VOL +/-“ die Dauer ein und bestätigen Sie mit „SCAN/SELECT“.
 13. Verlassen Sie das Menü mit der Taste „MENU/INFO“. Das Alarmsymbol 1 oder 2 leuchtet im Display auf.
 14. Schalten Sie das Gerät bei Bedarf mit der Taste „Power/MODE“ in den Standby-Modus. Der gewählte Alarmton ertönt zur eingestellten Zeit.
- Drücken Sie eine beliebige Taste, um den Alarm um 5 Minuten zu unterbrechen. (Ausgenommen Taschenlampen- und SOS-Taste.) Der Timer für die verbleibende Zeit wird im Display angezeigt.
 - Drücken Sie „Power/MODE“, um den Alarm vollständig zu deaktivieren.

Schlafmodus

Hier können Sie eine Zeit voreinstellen, nach der sich das Gerät automatisch ausschaltet.

1. Halten Sie die Taste „MENU/INFO“ gedrückt, um das Systemmenü zu öffnen. Wählen Sie „System“ und bestätigen Sie mit „SCAN/SELECT“.
2. Wählen Sie mit den Tasten „VOL +/-“ die Option „Schlafmodus“ und bestätigen Sie mit „SCAN/SELECT“.
3. Wählen Sie mit den Tasten „VOL +/-“ zwischen 15, 30, 45, 60, 75, 90 Minuten und „Aus“.
4. Drücken Sie kurz „SCAN/SELECT“, um die Auswahl zu bestätigen. Im Display wird „SXX“ angezeigt, wobei „XX“ die verbleibende Schlafzeit angibt.

Datum und Uhrzeit manuell einstellen

Wenn Sie keinen DAB-Empfang haben, können Sie Datum und Uhrzeit auch manuell einstellen.

1. Halten Sie die Taste „MENU/INFO“ gedrückt, um das Systemmenü zu öffnen. Wählen Sie „System“ und bestätigen Sie mit „SCAN/SELECT“.
2. Wählen Sie mit den Tasten „VOL +/-“ die Option „Datum/Uhrzeit“ und bestätigen Sie mit „SCAN/SELECT“.
3. Wählen Sie mit den Tasten „VOL +/-“ die Option „Datum/Uhrzeit einstellen“ und bestätigen Sie mit „SCAN/SELECT“.
4. Stellen Sie mit den Tasten „VOL +/-“ Tag, Monat, Jahr, Stunde und Minute nacheinander ein und bestätigen Sie jede Eingabe mit „SCAN/SELECT“. Die Anzeige springt automatisch einen Menüschritt zurück.
5. Wählen Sie mit den Tasten „VOL +/-“ die Option „Stundensystem einstellen“ und bestätigen Sie mit „SCAN/SELECT“.
6. Wählen Sie mit den Tasten „VOL +/-“ das 24-Stunden-System oder das 12-Stunden-System aus und bestätigen Sie mit „SCAN/SELECT“. Die Anzeige springt automatisch einen Menüpunkt zurück.
7. Wählen Sie mit den Tasten „VOL +/-“ das Datumsformat aus und bestätigen Sie mit „SCAN/SELECT“.
8. Wechseln Sie mit den Tasten „VOL +/-“ zwischen den Formaten TT-MM-JJJJ, MM-TT-JJJJ und JJJJ-MM-TT und bestätigen Sie mit „SCAN/SELECT“. Die Anzeige springt automatisch einen Menüpunkt zurück.
9. Wählen Sie mit den Tasten „VOL +/-“ die Option „Auto“. Aktualisieren Sie die Zeit und bestätigen Sie mit „SCAN/SELECT“.
10. Wählen Sie mit den Tasten „VOL +/-“ zwischen „Keine Aktualisierung“ und „Aktualisierung über Radio“ (der DAB+-Sender stellt die Uhrzeit bei ausreichendem

Empfang automatisch ein) und bestätigen Sie mit „SCAN/SELECT“. Die Anzeige springt automatisch einen Menüpunkt zurück.

Einstellen der Display-Hintergrundbeleuchtung

1. Halten Sie die Taste „MENU/INFO“ gedrückt, um das Systemmenü zu öffnen. Wählen Sie „System“ und bestätigen Sie mit „SCAN/SELECT“.
2. Wählen Sie mit den Tasten „VOL +/-“ die Option „Hintergrundbeleuchtung“ und bestätigen Sie mit „SCAN/SELECT“.
3. Wählen Sie mit den Tasten „VOL +/-“ die Option „Timeout“ und bestätigen Sie mit „SCAN/SELECT“.
4. Wählen Sie mit den Tasten „VOL +/-“ zwischen „Dauerhaft an“ und einer Abschaltzeit (10–180 Sekunden) für die Beleuchtung und bestätigen Sie mit „SCAN/SELECT“. Die Anzeige springt automatisch einen Menüpunkt zurück.
5. Wählen Sie mit den Tasten „VOL +/-“ die Option „Helligkeit“ und bestätigen Sie mit „SCAN/SELECT“.
6. Wählen Sie mit den Tasten „VOL +/-“ die gewünschte Displayhelligkeit (Niedrig, Mittel, Hoch) und bestätigen Sie mit „SCAN/SELECT“. Die Anzeige springt automatisch einen Menüpunkt zurück.

Wiederherstellen der Werkseinstellungen

1. Halten Sie die Taste „MENU/INFO“ gedrückt, um das Systemmenü zu öffnen. Wählen Sie „System“ und bestätigen Sie mit „SCAN/SELECT“.
2. Wählen Sie mit den Tasten „VOL +/-“ die Option „Auf Werkseinstellungen zurücksetzen“ und bestätigen Sie mit „SCAN/SELECT“.
3. Wählen Sie mit den Tasten „VOL +/-“ „Nein“ oder „Ja“ und bestätigen Sie mit „SCAN/SELECT“.

Softwareversion

Hier können Sie die installierte Softwareversion anzeigen.

1. Halten Sie die Taste „MENU/INFO“ gedrückt, um das Systemmenü zu öffnen. Wählen Sie „System“ und bestätigen Sie mit „SCAN/SELECT“.
2. Wählen Sie mit den Tasten „VOL +/-“ die Option „Systemversion“ und bestätigen Sie mit „SCAN/SELECT“. Die aktuell installierte Softwareversion wird angezeigt. Drücken Sie „MENU/INFO“, um den Menüpunkt zu verlassen.

Taschenlampenmodi

Taschenlampe einschalten (3 Modi)

Drücken Sie während des Betriebs kurz die Taste „LICHT“, um einen anderen Lichtmodus auszuwählen.

Im AUS-Modus halten Sie die Taste „LICHT“ gedrückt, um die Taschenlampe einzuschalten.

Lesemodus aktivieren

Klappen Sie das Solarpanel hoch. Die Leselampe schaltet sich automatisch ein und aus, wenn Sie das Solarpanel schließen.

USB-Ausgang (5 V)

Dieses tragbare Radio kann auch als Notladegerät für Ihr Mobiltelefon verwendet werden. Verwenden Sie es nicht als normale Powerbank.

Hinweis: Das Notladegerät ist nur im Standby- oder AUS-Modus verfügbar.

1. Öffnen Sie die Gummikappe des USB-Anschlusses.
2. Stecken Sie Ihr Mobiltelefon-Ladekabel (nicht im Lieferumfang enthalten) in die USB-OUT-5V-Buchse und anschließend in Ihr Mobiltelefon.

SOS-Modus aktivieren

Halten Sie die „SOS“-Taste auf der Vorderseite gedrückt, um den Alarmton zu aktivieren. Durch kurzes Drücken der SOS-Taste können Sie einen anderen Modus auswählen. Der Alarmton ist sehr laut und die Taschenlampe blinkt.

Probleme und mögliche Lösungen

Funktioniert nicht

- Ist der Akku leer?
- Ist das Netzteil angeschlossen?

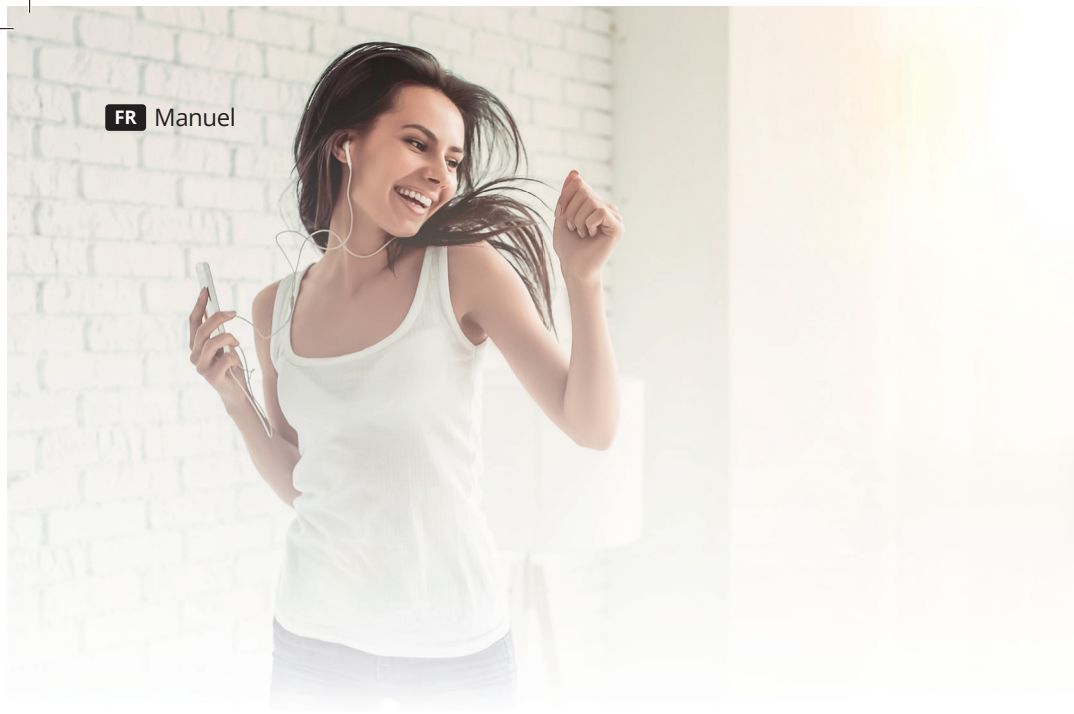
Kein Ton

- Haben Sie den richtigen Betriebsmodus ausgewählt?
- Ist die Lautstärke zu niedrig eingestellt?
- Sind Kopfhörer angeschlossen?

DAB: Der gewählte Sender empfängt kein Signal. FM: Das Audiosignal ist schwach oder von schlechter Qualität.

- Stören andere Geräte, z. B. Mikrowelle, Motor, Mixer oder Fernseher, das Signal?
- Ist das Radiosignal zu schwach?

- Stellen Sie die Audioeinstellung im FM-Modus auf Mono.
- Überprüfen Sie die Signalstärke im DAB-Modus.
- Passen Sie die Antennenposition an oder stellen Sie das Gerät an einem anderen Ort auf.
- Trennen Sie das USB-C-Eingangskabel.
- Trennen Sie das USB-Ausgangskabel.



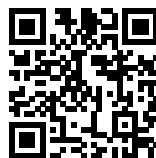
Bienvenue dans la famille FlinQ

Merci d'avoir choisi l'un de nos articles! Pour assurer un fonctionnement et une précision continus, veuillez lire attentivement ce manuel d'instructions avant utilisation et conservez-le pour référence future. Ignorer certaines procédures peut entraîner une lecture incorrecte et une utilisation incorrecte de ce produit. Nous espérons que vous apprécierez votre nouveau produit FlinQ! Si l'article est accidentellement endommagé, défectueux ou cassé, vous avez droit à la garantie! N'hésitez pas à nous contacter pour toute question, commentaire ou suggestion à l'adresse e-mail fournie dans ce manuel.

Enregistrez votre produit de FlinQ Products

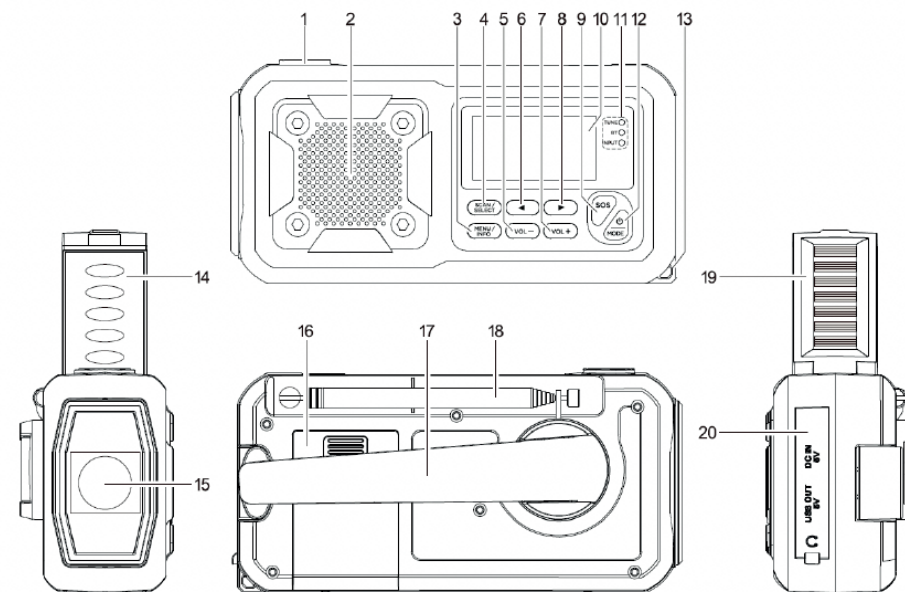
Vous êtes extrêmement prudent avec votre nouveau produit et nous le comprenons. Enregistrez maintenant gratuitement votre produit et profitez de:

- ✓ Un an de **garantie** supplémentaire (2+1)
- ✓ **Soutien** personnel
- ✓ **Certificat de garantie** numérique
- ✓ Manuel **numérique**



Scannez le code QR ou visitez flinqproducts.nl/registration/

FlinQ FM Emergency Radio with DAB+ and Bluetooth - RescueWave



Aperçu des composants

- | | |
|------------------------------------|---|
| 1. Interrupteur de la lampe torche | 11. Voyant LED |
| 2. Haut-parleur | 12. Bouton Marche/Arrêt / MODE |
| 3. Bouton MENU/INFO | 13. Crochet pour dragonne |
| 4. Bouton SCAN/SELECT | 14. Lampe de lecture |
| 5. Bouton VOL - | 15. Lampe torche |
| 6. Bouton (TUNE - / PRÉCÉDENT) | 16. Compartiment à piles |
| 7. Bouton VOL + | 17. Générateur d'énergie |
| 8. Bouton (TUNE + / SKIP) | 18. Antenne |
| 9. Bouton SOS | 19. Panneau solaire |
| 10. Écran | 20. Ports : Entrée CC 5 V (USB-C), Sortie CC 1 A (USB), Prise casque 3,5 mm |

Installation

Contenu de l'emballage :

- Unité principale
- Manuel d'utilisation
- Câble USB-C
- Dragonne

Chargement de la batterie intégrée

Vous disposez de trois méthodes pour charger la batterie Li-ion intégrée.

1. Chargement via USB

Connectez le câble USB fourni au port USB-C (DC IN 5V) de la radio portable et à un adaptateur secteur USB 5V (non fourni).

Remarque : Le chargement complet de la batterie prend environ 6 à 8 heures.

2. Chargement par générateur (manivelle)

En cas d'urgence, vous pouvez charger la batterie intégrée à l'aide du générateur. Déployez le générateur, puis tournez-le rapidement. L'énergie produite est stockée dans la batterie intégrée.

Remarque : Le voyant LED INPUT (ROUGE) s'allume.

Tournez la manivelle pendant 5 minutes pour activer la batterie intégrée lors de la première utilisation.

3. Chargement par panneau solaire

Il est difficile de charger complètement la radio avec un panneau solaire, qui sert principalement à maintenir l'autonomie de la batterie intégrée. Placez le panneau solaire directement en plein soleil.

Indicateur LED

Fonction	Lumière	Statut
Régler	Ambre	Réception des émissions FM ou DAB
Sans fil	Bleu	Mode sans fil
Saisir	Rouge	Batterie pendant la charge

Remarque : Vous pouvez utiliser l'appareil pendant la charge. Toutefois, cela augmentera le temps de charge.

Informations sur les batteries rechargeables

- Selon les conditions environnementales, le volume, etc., l'autonomie est d'environ 6 à 8 heures (à 50 % du volume).
- Pour préserver au maximum la capacité de la batterie, rechargez-la complètement tous

les 2 à 3 mois, même si vous n'utilisez pas la radio.

- Chargez la batterie dans un environnement dont la température est comprise entre 0 °C et +40 °C.
- La batterie conserve mieux sa charge à température ambiante. Plus la température ambiante est basse, plus l'autonomie est réduite.
- La batterie doit être rechargée si le symbole de batterie faible s'affiche.

Remarque : La réception FM/DAB peut être affectée pendant la recharge de la batterie.

Mise en marche/arrêt et mise en veille de l'appareil :

1. Déployez complètement l'antenne télescopique.
2. Maintenez le bouton « Marche/Arrêt/Mode » enfoncé jusqu'à ce que l'appareil s'allume.
3. Pour mettre l'appareil en veille, maintenez le bouton « Marche/Arrêt/Mode » enfoncé jusqu'à ce que la date et l'heure s'affichent.
4. Pour rallumer l'appareil depuis le mode veille, appuyez brièvement sur le bouton « Marche/Arrêt/Mode ».
5. Pour éteindre complètement l'appareil depuis le mode veille, maintenez le bouton « Marche/Arrêt/Mode » enfoncé jusqu'à ce que l'écran s'éteigne.

Remarque : Après environ 15 minutes sans réception de signal, l'appareil passera automatiquement en mode veille.

Réglage du volume Appuyez sur les touches « VOL +/- » jusqu'à ce que le niveau de volume s'affiche. Plage de volume : 0 à 32

Réglage de la langue

Pour configurer l'appareil dans votre langue...

1. Appuyez longuement sur la touche « MENU/INFO » pour ouvrir le menu système, sélectionnez « Système » et confirmez avec « SCAN/SELECT ».
2. Appuyez sur les touches « VOL +/- » jusqu'à ce que « Langue » s'affiche et confirmez avec « SCAN/SELECT ».
3. Appuyez sur les touches « VOL +/- » jusqu'à ce que la langue souhaitée s'affiche et confirmez avec « SCAN/SELECT ».

Remarque : Si vous n'appuyez sur aucune touche pendant quelques secondes, l'affichage revient au mode précédemment sélectionné. Les réglages non confirmés ne sont pas enregistrés.

- Pour quitter le menu, appuyez brièvement sur la touche « MENU/INFO ».

DAB

Sélection du mode de fonctionnement

Appuyez brièvement et à plusieurs reprises sur le bouton « Marche/Arrêt/MODE » pour basculer entre les modes DAB, radio FM et sans fil.

Syntonisation en mode DAB

Le passage en mode DAB permet de retrouver automatiquement la dernière station sélectionnée.

1. Appuyez brièvement sur le bouton « VOL +/- ». La liste complète des stations s'affiche.
2. Utilisez le bouton « VOL +/- » pour sélectionner la station souhaitée et validez avec « SCAN/SELECT ».

Remarque :

- Vous trouverez également la liste complète des stations dans le menu système, sous « Liste des stations ». Vous pouvez également y lancer une recherche manuelle complète.
- Vous pouvez sélectionner des fréquences ou des bandes de fréquences spécifiques dans le menu système, sous « Réglage manuel ».

La puissance du signal de la bande de fréquences sélectionnée s'affiche sous forme de barres. Aucun réglage n'est disponible. Appuyez sur le bouton « MENU/INFO » pour quitter le menu système.

- Toutes les stations ne sont pas diffusées en permanence. De nombreuses stations qui étaient diffusées autrefois ont disparu depuis ; ou vous recevez des stations d'une autre région que vous ne pouvez plus recevoir à votre nouvelle adresse : pour nettoyer la liste des stations, vous pouvez les supprimer dans le menu système avec l'option « Éliminer ».
- Appuyez plusieurs fois sur « MENU/INFO » pour afficher différentes informations sur la station, la musique, etc., selon la station.

Enregistrement de stations (mémorisation) en DAB

1. Sélectionnez la station à mémoriser.
2. Appuyez longuement sur la touche « MENU/INFO » pour ouvrir le menu système, sélectionnez « Système » et confirmez avec « SCAN/SELECT ».
3. Utilisez les touches « VOL +/- » pour sélectionner « Mémorisation » et confirmez

avec « SCAN/SELECT ».

4. Utilisez les touches « VOL +/- » pour sélectionner la station mémorisée souhaitée et confirmez avec « SCAN/SELECT ».

Le message « Station mémorisée (numéro) » s'affiche brièvement, puis l'appareil revient en mode DAB ou FM.

Remarque : Vous disposez de 40 stations pré-réglées.

Appel des stations enregistrées (rappel de station pré-réglée) en DAB :

1. Appuyez longuement sur la touche « MENU/INFO » pour ouvrir le menu système, sélectionnez « Rappel de station pré-réglée » et confirmez avec « SCAN/SELECT ».
2. Utilisez les touches « VOL +/- » pour sélectionner la station souhaitée et confirmez avec « SCAN/SELECT ».

L'affichage revient en mode DAB+ ou FM. La station pré-réglée « P01 » s'affiche.

FM

Sélection du mode de fonctionnement

Appuyez brièvement et à plusieurs reprises sur le bouton « Marche/Arrêt/MODE » pour basculer entre les modes DAB, FM et sans fil.

Recherche de stations en mode FM

Le passage en mode FM permet de retrouver automatiquement la dernière station sélectionnée. Si cette station est indisponible, appuyez sur le bouton « SCAN/SELECT » pour rechercher la station suivante.

1. Appuyez brièvement sur les boutons « VOL +/- » pour rechercher une station par incréments de 0,05 MHz. Maintenez le bouton « VOL +/- » enfoncé pour lancer une recherche de stations.
2. La recherche s'arrête dès qu'une station est détectée.

Dans le menu système, sous « Paramètres de recherche », vous pouvez choisir d'inclure toutes les stations ou uniquement les stations à forte réception.

Enregistrement des stations (mémorisation pré-réglée) en FM

Identique au mode DAB

Appel des stations enregistrées (rappel pré-réglé) en FM

Identique au mode DAB

Sans fil

En mode sans fil, vous pouvez connecter votre appareil mobile compatible et écouter des fichiers musicaux enregistrés via la radio.

Remarque : Consultez toujours le manuel d'utilisation de votre appareil mobile. L'appareil ne peut pas être connecté à une enceinte ou à un casque sans fil.

Établissement d'une connexion

Activez la fonction sans fil sur votre appareil mobile.

1. Appuyez brièvement sur le bouton « Marche/Arrêt/MODE » pour sélectionner le mode sans fil.
2. L'écran affiche « Déconnecté » clignotant pendant la recherche d'un signal sans fil. Le voyant LED sans fil s'allume en bleu.
3. Lancez la recherche d'appareils sur votre appareil mobile.
4. Sélectionnez « RescueWave » sur votre appareil mobile et connectez les appareils comme d'habitude.

Lecture de musique

La radio peut lire de la musique dans tous les formats de fichiers courants compatibles avec votre appareil mobile.

- Commencez par lancer la lecture sur votre appareil mobile. Vous pouvez également effectuer ces opérations directement sur la radio DAB :
- Appuyez sur « SCAN/SELECT » pour démarrer et mettre en pause la lecture.
- Pour revenir au début du morceau ou passer au morceau précédent, appuyez une ou deux fois sur le bouton « Vol- ».
- Passez au morceau suivant avec le bouton « Vol+ ».
- Appuyez sur les boutons VOL +/- pour régler le volume.

Remarque : Si le volume est trop faible, réglez-le sur votre appareil mobile.

Déconnexion de l'appareil

Un seul appareil peut être connecté à la radio via le réseau sans fil à la fois. Pour connecter un autre appareil, vous devez d'abord déconnecter l'appareil actuel. Procédez comme suit :

- Dissociez les appareils sur votre appareil mobile.
- Les appareils seront également dissociés si vous les déplacez hors de portée du réseau sans fil.

Remarque : Si vous éteignez la radio, elle se reconnectera automatiquement à l'appareil sans fil dès sa remise en marche, à condition que celui-ci soit à proximité, allumé et que la fonction sans fil soit activée.

Utilisation d'écouteurs

Écouter régulièrement de la musique à un volume élevé peut endommager l'audition. Réglez le volume au minimum avant de lancer la lecture de musique sur la radio. Vous pourrez ensuite l'augmenter si vous le souhaitez.

1. Baissez le volume.
2. Branchez des écouteurs ou un casque à l'aide d'une prise jack 3,5 mm.
3. Si nécessaire, augmentez le volume. Cela coupe la lecture via le haut-parleur.

Remarque : Les écouteurs avec télécommande intégrée ne sont pas compatibles avec cette radio.

Fonction alarme et sommeil

Ici, vous pouvez présélectionner l'heure à laquelle l'appareil vous réveillera.

1. Appuyez longuement sur le bouton « MENU/INFO » pour ouvrir le menu système, sélectionnez « Système » et confirmez avec « SCAN/SELECT ».
2. Utilisez les boutons « VOL +/- » pour sélectionner Alarmes et confirmez avec « SCAN/SELECT ».
3. Utilisez les boutons « VOL +/- » pour sélectionner Alarme 1 ou Alarme 2 et confirmez avec « OK ».
4. Utilisez le bouton « VOL + » pour sélectionner Alarme et utilisez « SCAN/SELECT » pour l'activer ou la désactiver.
5. Utilisez le bouton « VOL + » pour sélectionner Heure et confirmez avec « SCAN/SELECT ».
6. Utilisez les boutons « VOL +/- » pour régler l'heure et les minutes, puis confirmez avec « SCAN/SELECT ».
7. Utilisez le bouton « VOL + » pour sélectionner Source et confirmez avec « SCAN/SELECT ».
8. Utilisez les touches « VOL +/- » pour sélectionner FM, DAB ou Buzzer, puis validez avec « SCAN/SELECT ».
9. Utilisez la touche « VOL + » pour sélectionner Répétition, puis validez avec « SCAN/

- SELECT ».
10. Utilisez les touches « VOL -/+ » pour sélectionner Une fois, Quotidiennement, Week-end ou Jours ouvrables, puis validez avec « SCAN/SELECT ».
 11. Utilisez les touches « VOL -/+ » pour régler le volume, puis validez avec « SCAN/SELECT ».
 12. Utilisez les touches « VOL -/+ » pour régler la durée, puis validez avec « SCAN/SELECT ».
 13. Quittez le menu avec la touche « MENU/INFO ». Le symbole d'alarme 1 ou 2 s'affiche.
 14. Si nécessaire, mettez l'appareil en veille avec la touche « Power/MODE ». L'alarme sélectionnée sonnera à l'heure programmée.
 - Appuyez sur n'importe quelle touche pour reporter l'alarme de 5 minutes. (Sauf pour la lampe torche et le bouton SOS) L'écran affichera le compteur de répétition.
 - Appuyez sur « Marche/Arrêt/MODE » pour désactiver complètement l'alarme..

Fonction veille

Ici, vous pouvez présélectionner la durée après laquelle l'appareil s'éteint automatiquement.

1. Appuyez longuement sur le bouton « MENU/INFO » pour ouvrir le menu système, sélectionnez « Système » et confirmez avec « SCAN/SELECT ».
2. Utilisez les boutons « VOL -/+ » pour sélectionner Veille et confirmez avec SCAN/SELECT.
3. Utilisez les boutons « VOL -/+ » pour sélectionner la durée de veille :
15 > 30 > 45 > 60 > 75 > 90 minutes ou Arrêt.
4. Appuyez brièvement sur « SCAN/SELECT » pour confirmer. L'écran affiche « SXX », « XX » indiquant le temps de veille restant.

Réglage manuel de la date et de l'heure

Si vous ne recevez pas la radio numérique terrestre (DAB), vous pouvez également régler la date et l'heure manuellement.

1. Appuyez longuement sur la touche « MENU/INFO » pour ouvrir le menu système, sélectionnez « Système » et confirmez avec « SCAN/SELECT ».
2. Utilisez les touches « VOL -/+ » pour sélectionner « Heure/Date » et confirmez avec « SCAN/SELECT ».
3. Utilisez les touches « VOL -/+ » pour sélectionner « Régler l'heure et la date » et confirmez avec « SCAN/SELECT ».
4. Utilisez les touches « VOL -/+ » pour régler successivement le jour, le mois,

l'année, l'heure et les minutes, et confirmez chaque réglage avec « SCAN/SELECT ». L'affichage revient automatiquement à l'étape précédente du menu.

5. Utilisez les touches « VOL -/+ » pour sélectionner « Régler l'heure » et confirmez avec « SCAN/SELECT ». 6. Utilisez les boutons « VOL -/+ » pour sélectionner « Format 24 h » ou « Format 12 h », puis validez avec « SCAN/SELECT ». L'affichage reviendra automatiquement à l'étape précédente du menu.
7. Utilisez les boutons « VOL -/+ » pour sélectionner « Définir le format de date », puis validez avec « SCAN/SELECT ».
8. Utilisez les boutons « VOL -/+ » pour basculer entre les formats jj-mm-aaaa, mm-jj-aaaa et aaaa-mm-jj, puis validez avec « SCAN/SELECT ». L'affichage reviendra automatiquement à l'étape précédente du menu.
9. Utilisez les boutons « VOL -/+ » pour sélectionner « Auto ». Appuyez sur « Mettre à jour » et confirmez avec « SCAN/SELECT ».
10. Utilisez les boutons « VOL -/+ » pour choisir entre « Pas de mise à jour » et « Mise à jour depuis la radio » (la station DAB+ réglera l'heure automatiquement si la réception est suffisante) et confirmez avec « SCAN/SELECT ». L'affichage reviendra automatiquement à l'étape précédente du menu.

Réglage du rétroéclairage

1. Appuyez longuement sur la touche « MENU/INFO » pour ouvrir le menu système, sélectionnez « Système » et validez avec « SCAN/SELECT ».
2. Utilisez les touches « VOL -/+ » pour sélectionner « Rétroéclairage » et validez avec « SCAN/SELECT ».
3. Utilisez les touches « VOL -/+ » pour sélectionner « Délai d'extinction » et validez avec « SCAN/SELECT ».
4. Utilisez les touches « VOL -/+ » pour choisir entre « Toujours allumé » et une durée d'extinction automatique comprise entre 10 et 180 secondes, puis validez avec « SCAN/SELECT ». L'écran reviendra automatiquement à l'étape précédente du menu.
5. Utilisez les touches « VOL -/+ » pour sélectionner le niveau de luminosité et validez avec « SCAN/SELECT ».
6. Utilisez les touches « VOL -/+ » pour sélectionner la luminosité de l'écran (Faible, Moyenne ou Élevée) et validez avec « SCAN/SELECT ». L'écran reviendra automatiquement à l'étape précédente du menu.

Restauration des paramètres d'usine

1. Appuyez longuement sur la touche « MENU/INFO » pour ouvrir le menu système, sélectionnez « Système » et confirmez avec « SCAN/SELECT ».

- Utilisez les touches « VOL -/+ » pour sélectionner « Réinitialisation d'usine » et confirmez avec « SCAN/SELECT ».
- Utilisez les touches « VOL -/+ » pour sélectionner « Non » ou « Oui » et confirmez avec « SCAN/SELECT ».

Version du logiciel

Vous pouvez consulter ici la version du logiciel installé.

- Appuyez longuement sur le bouton « MENU/INFO » pour ouvrir le menu système, sélectionnez « Système » et confirmez avec « SCAN/SELECT ».
- Utilisez les boutons « VOL -/+ » pour sélectionner « Version du système » et confirmez avec « SCAN/SELECT ». La version du logiciel actuellement installée s'affiche. Appuyez sur « MENU/INFO » pour quitter le menu.

Modes de la lampe torche

Allumer la lampe torche (3 modes)

Pendant l'utilisation, appuyez brièvement sur le bouton « LIGHT » pour sélectionner un autre mode d'éclairage.

En mode OFF, maintenez le bouton « LIGHT » enfoncé pour activer la lampe torche.

Activer le mode lecture

Relevez le panneau solaire ; la lampe de lecture s'allumera ou s'éteindra automatiquement en refermant le panneau solaire.

Sortie USB (5 V)

Cette radio portable peut également servir de chargeur d'urgence pour votre téléphone portable. Ne l'utilisez pas comme une batterie externe classique.

Remarque : Le chargeur d'urgence est uniquement disponible en mode veille ou éteint.

- Ouvrez le cache en caoutchouc du port USB.
- Branchez le câble de charge de votre téléphone portable (non fourni) sur la prise USB OUT 5 V, puis branchez-le à votre téléphone.

Activer le mode SOS

Appuyez longuement sur le bouton « SOS » en façade pour activer l'alarme sonore. Appuyez brièvement sur le bouton SOS pour sélectionner un autre mode.

L'alarme retentit fortement et la lampe torche clignote.

Problèmes et solutions possibles

Ne fonctionne pas :

- La batterie est-elle déchargée ?
- L'adaptateur secteur est-il branché ?

Aucun son :

- Avez-vous sélectionné le bon mode de fonctionnement ?
- Le volume est-il trop faible ?
- Des écouteurs sont-ils connectés ?

DAB : La station sélectionnée ne reçoit aucun signal. FM : Le signal audio est faible ou de mauvaise qualité.

- D'autres appareils, tels qu'un micro-ondes, un moteur, une table de mixage ou une télévision, interfèrent-ils avec le signal ?
- Le signal radio est-il trop faible ?
- En mode FM, le réglage audio est-il sur Mono uniquement ?
- Vérifiez la puissance du signal en mode DAB.
- Ajustez la position de l'antenne ou déplacez l'appareil.
- Débranchez le câble d'entrée USB-C.
- Débranchez le câble de sortie USB.

Hereby we:**Company:**

FlinQ & Co B.V.

Address:

Nijverheidslaan 6E
1382 LH Weesp
The Netherlands

**Declare under the sole responsibility
that the following equipment:**

FlinQ FM Emergency Radio with DAB+ and
Bluetooth - RescueWave

Brand:

FlinQ

Product name:

FlinQ FM Emergency Radio with DAB+ and
Bluetooth - RescueWave

Barcode / EAN:

8721284754879

Product Rating:

5V 1.7A

Product type:

Electronics › Portable Audio & Video ›
Radios › Weather Radios

Production date:

2026

Produced in:

China

Authorized signature:

Signed by:

**Name:**

Erwin Honing

Title:

CEO

Place:

1382 LH Weesp, The Netherlands

Date:

20-01-2026

Conforms that the listed products comply with the following safety and hazardous substance restrictions in electrical and electronic equipment requirements of the relevant European harmonization directives 2014/53/EU, 2011/65/EU+2015/863/EU and all modifications. Conformity is guaranteed by the CE symbol. This product has been tested according to harmonized standards and specifications of the Community legislation of the EU, the applicable versions are valid in 03-11-2024 (2014/53/EU) 03-11-2024 (2011/65/EU + 2015/863/EU) (test date). The full text of the EU declaration of conformity is available at the following internet address: www.flinqproducts.nl

TECHNICAL CHANGES SUBJECT TO FURTHER DEVELOPMENTS

Radio Equipment Directive (RED) 2014/53/EU

Reduction of hazardous substances (ROHS) directive 2011/65/EU + 2015/863/EU



FlinQ & Co B.V.

Nijverheidslaan 6E

1382 LH Weesp

The Netherlands

www.flinqproducts.nl

info@flinqproducts.nl